

# QUICK INSTALLATION GUIDE



## AirEye®

**READ AND SAVE  
THESE INSTRUCTIONS**



Operating Instructions and Maintenance:  
[bigfans.com/support](http://bigfans.com/support)



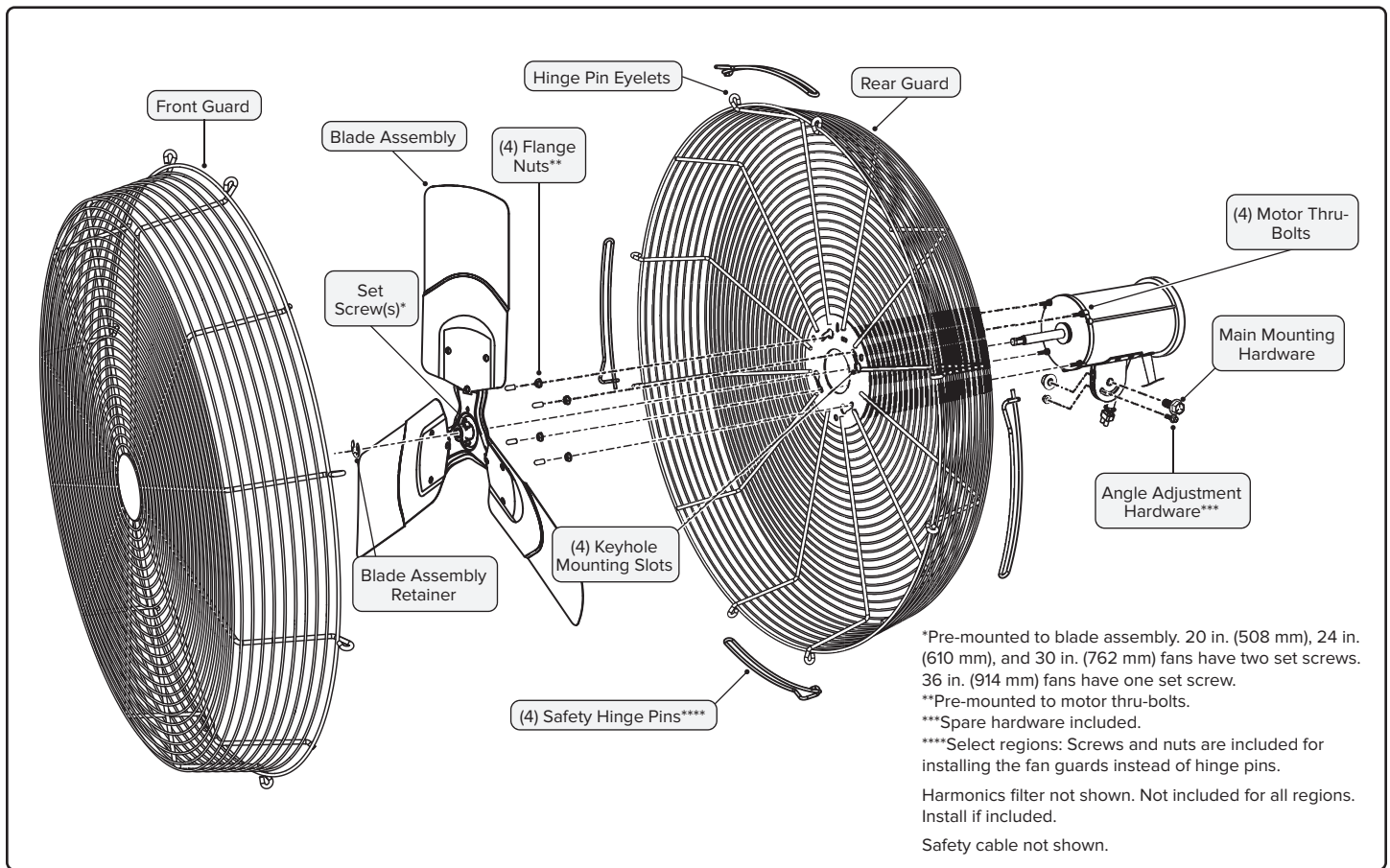
**⚠ CAUTION:** To reduce risk of personal injury, use only with mounting assembly models 007180, 007262, 009182, 007265, and 008001 manufactured by Big Fans.

## TECHNICAL SPECIFICATIONS

Fan Size	Fan Weight*	Input Power	Max Amps	Max Power
20 in. (508 mm)	32 lb (14.5 kg)	100–120 VAC, 1Φ, 50/60 Hz 208–240 VAC, 1Φ, 50/60 Hz	6.36 A 3.48 A	363 W 345 W
24 in. (610 mm)	38 lb (17.2 kg)	100–120 VAC, 1Φ, 50/60 Hz 208–240 VAC, 1Φ, 50/60 Hz	5.53 A 3.22 A	318 W 311 W
30 in. (762 mm)	45 lb (20.4 kg)	100–120 VAC, 1Φ, 50/60 Hz 208–240 VAC, 1Φ, 50/60 Hz	4.64 A 2.6 A	256 W 250 W
36 in. (914 mm)	67.1 lb (30.4 kg)	110–120 VAC, 1Φ, 50/60 Hz 208–240 VAC, 1Φ, 50/60 Hz	9.81 A 5.68 A	595 W 582 W

\*Includes fan motor, blades, and cage assembly.

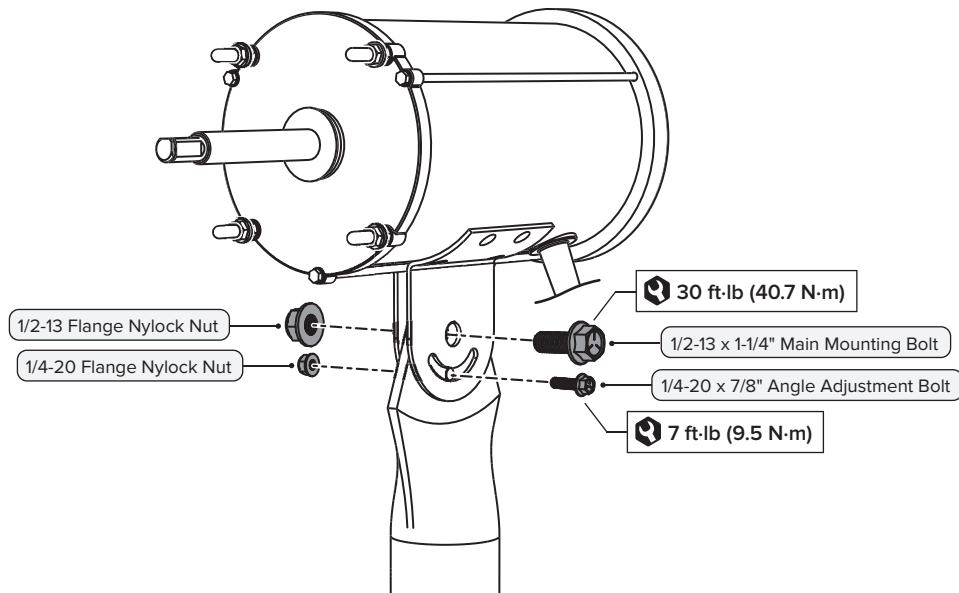
# PARTS AND HARDWARE



## 1. MOTOR

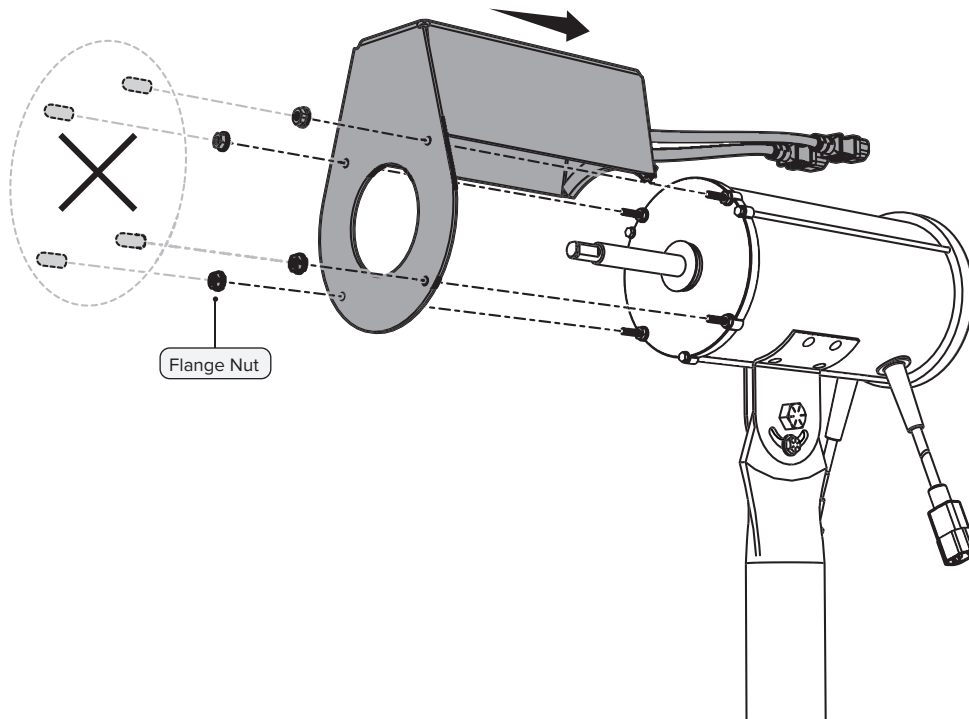
**Make sure fan mount has been installed as specified in the mounting instructions.**

To adjust motor angle, loosen main mounting bolt and angle adjustment bolt.



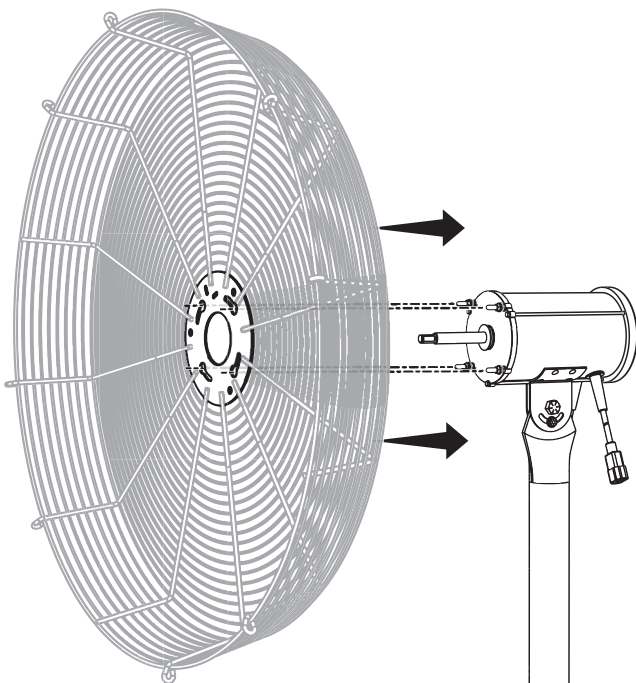
## 2. HARMONICS FILTER

Select regions only. Install if included with your fan.

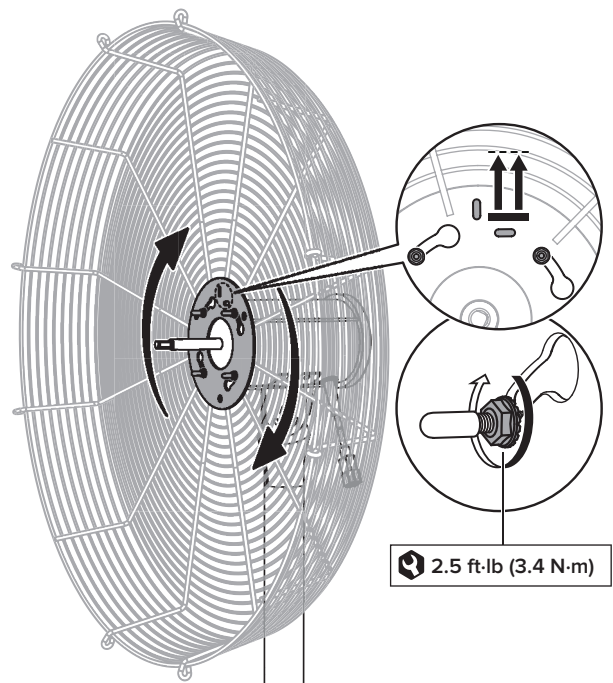


## 3. REAR GUARD

Align Mounting Slots

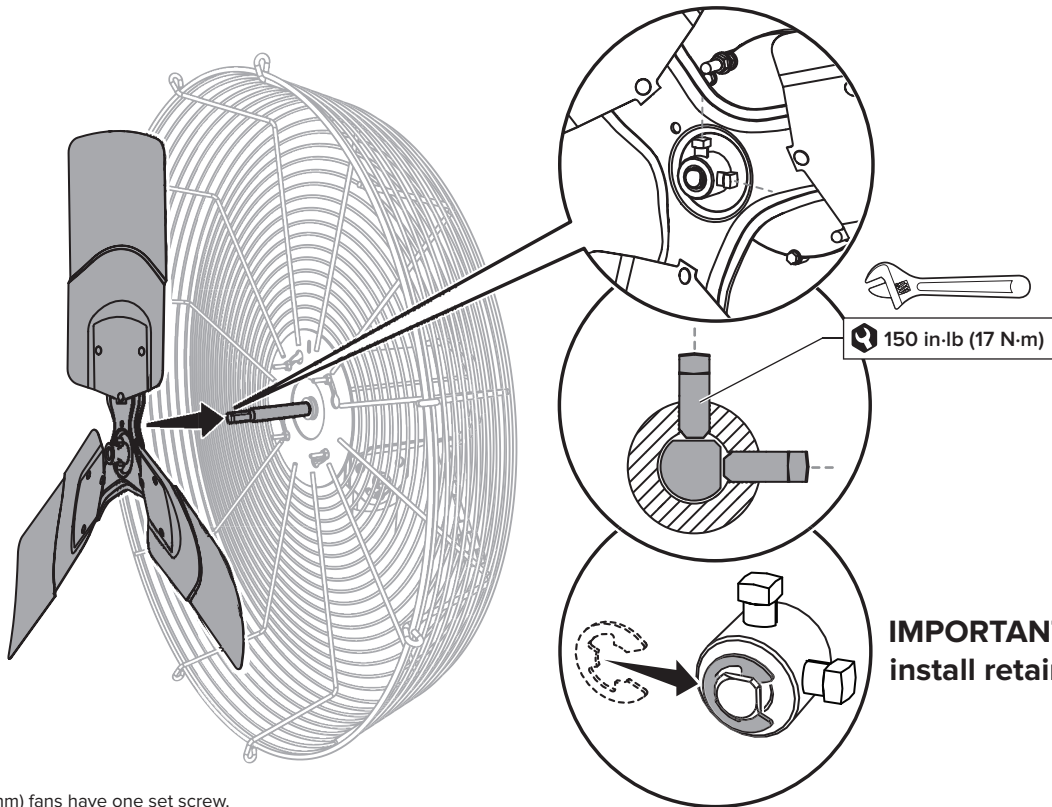


Secure Guard



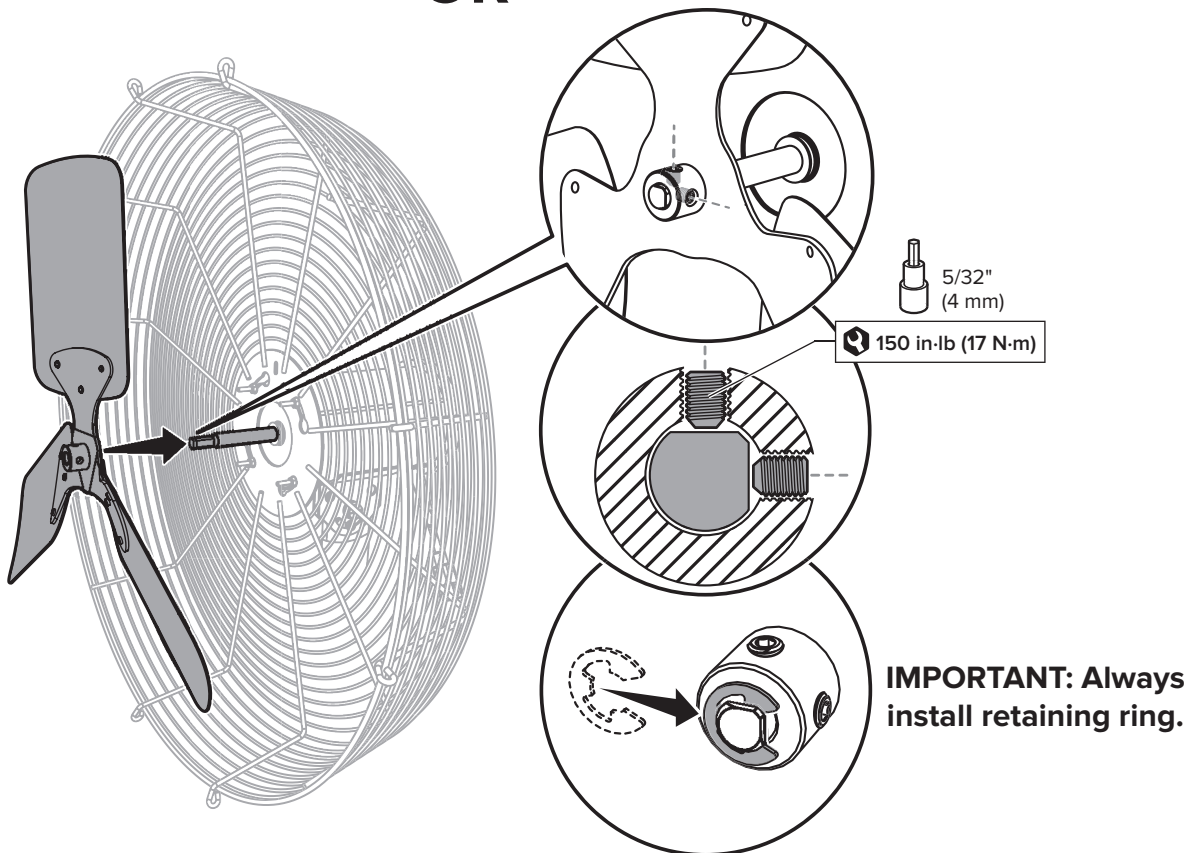
## 4. BLADE ASSEMBLY

Ensure blade assembly is fully seated onto shoulder of shaft and set screws are aligned to flats of shaft.



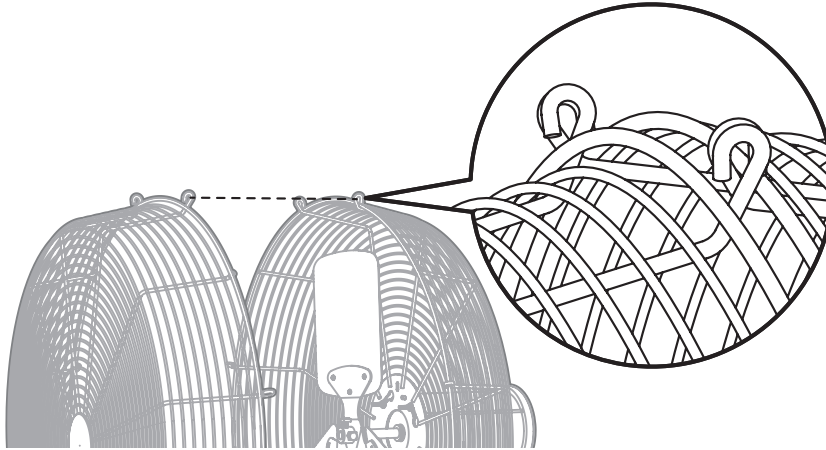
36 in. (914 mm) fans have one set screw.

OR



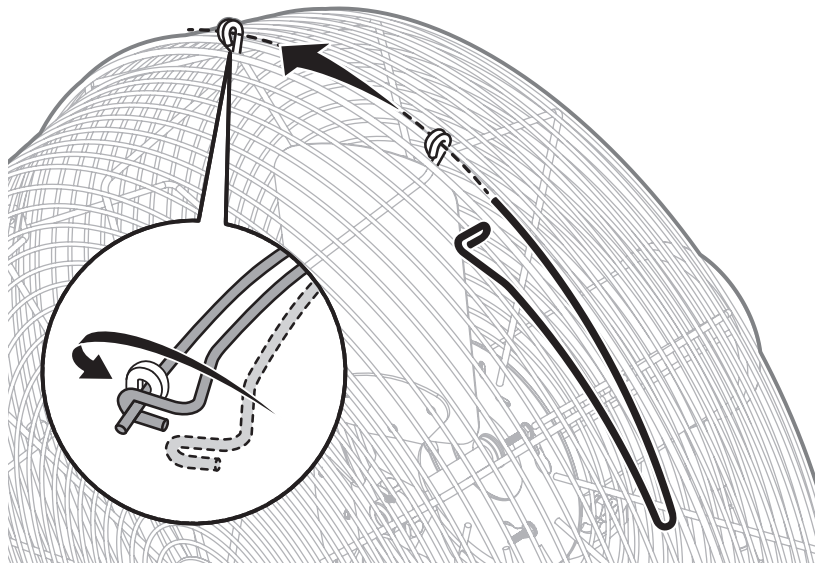
## 5. FRONT GUARD

### Align Eyelets

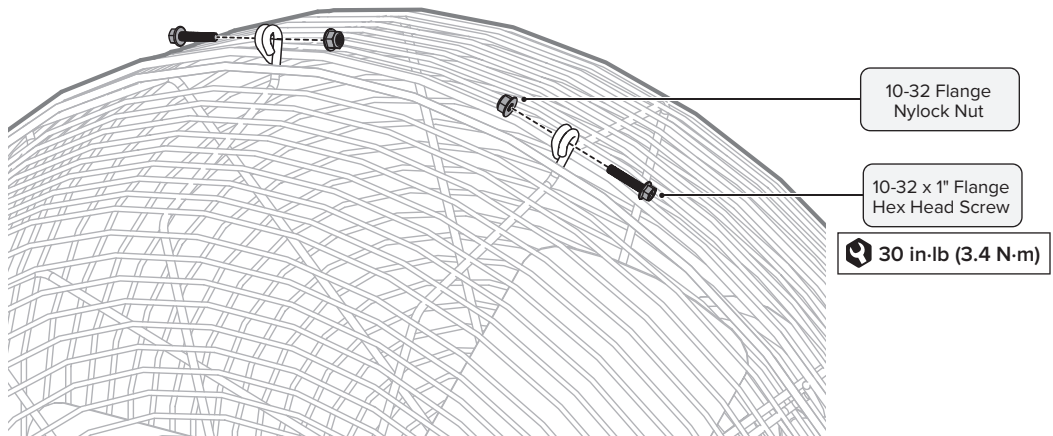


### Fasten Hinge Pins or Install Screws and Nuts\*

Start with topmost hinge. If installing screws and nuts, make sure the exposed threads on each pair of screws are facing inward toward each other.



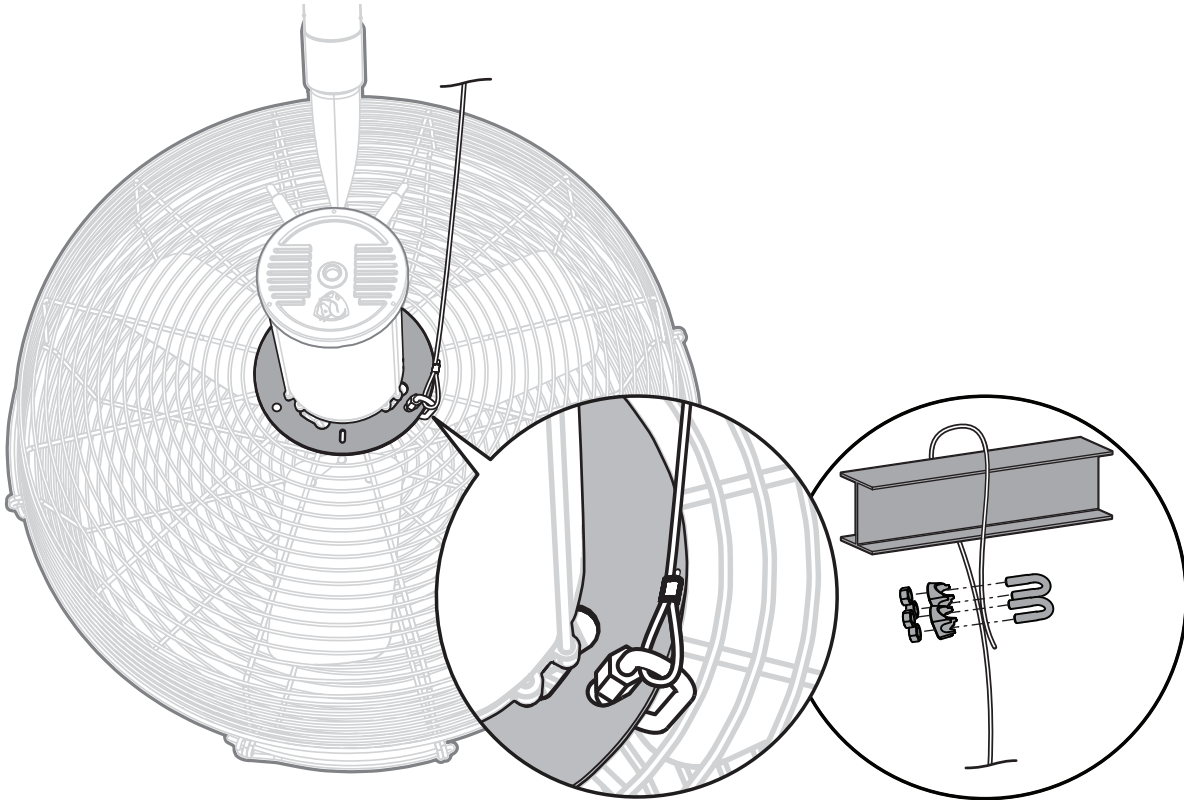
**OR**



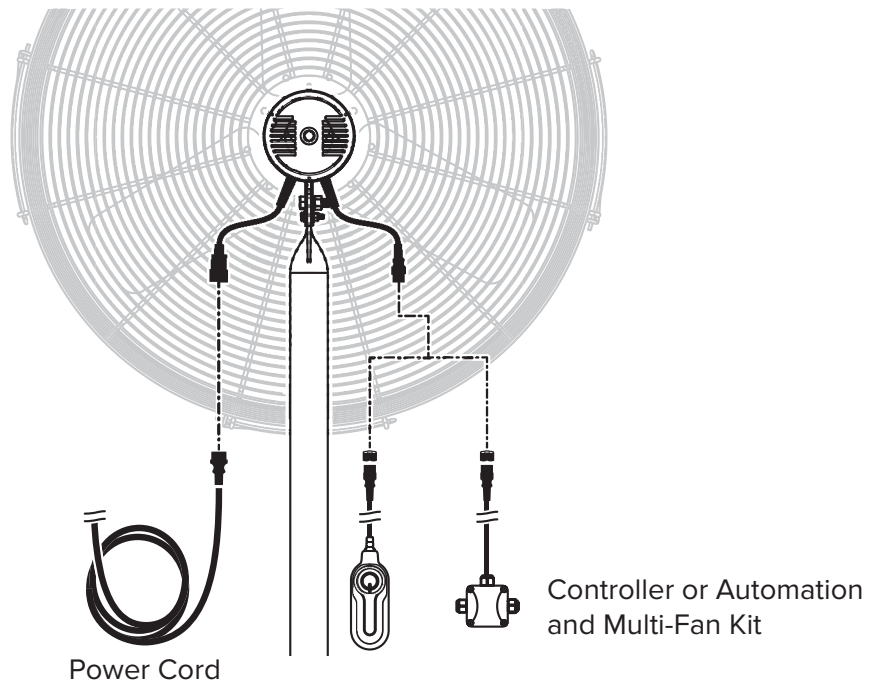
\*Screws and nuts are included instead of hinge pins for select regions only.

## 6. SAFETY CABLE

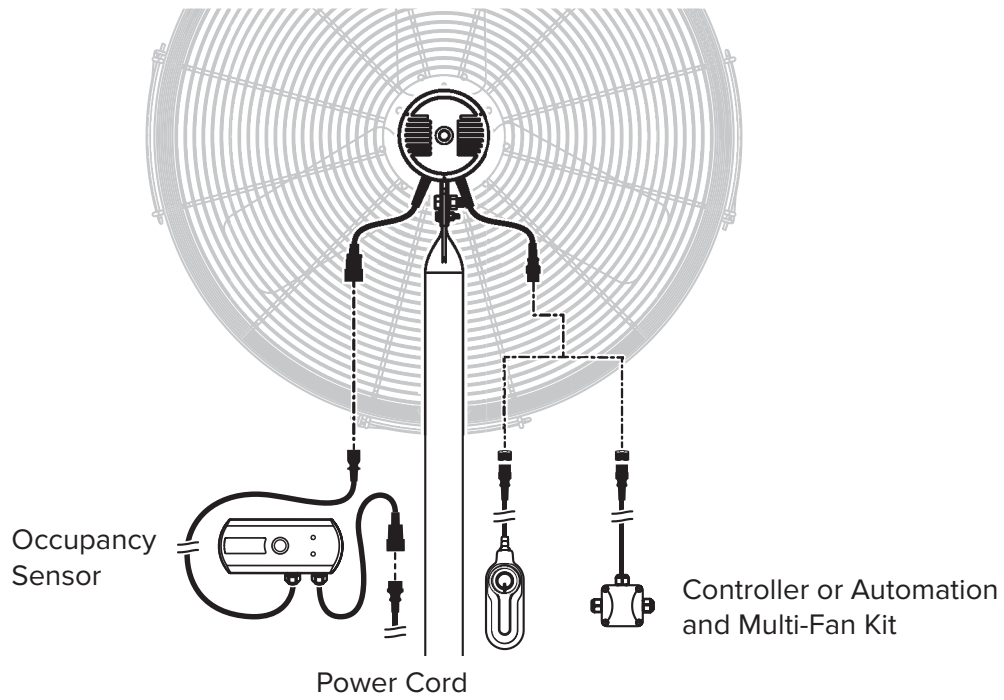
*Do not attach safety cable to fan mount under any circumstances.*



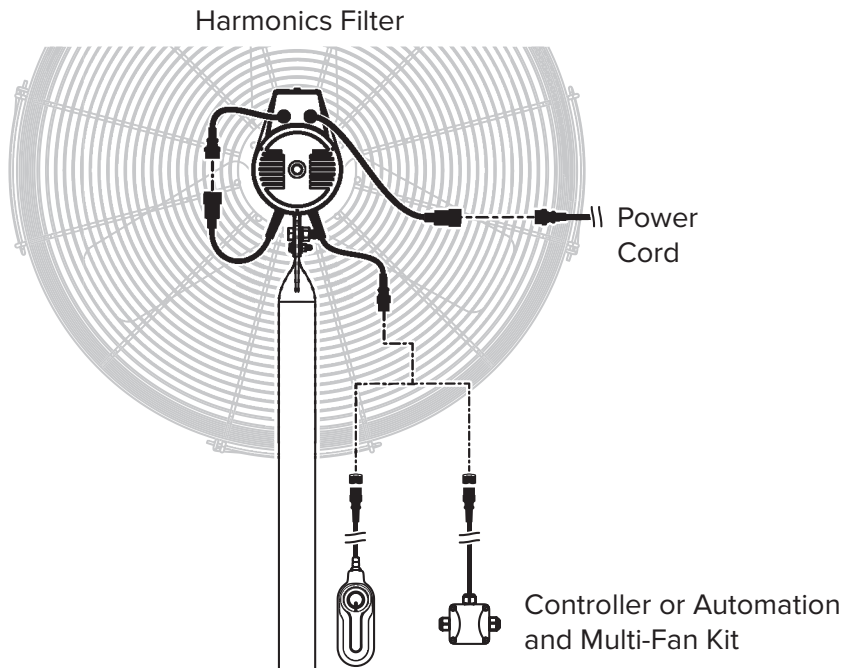
## ELECTRICAL CONNECTIONS: FAN ONLY



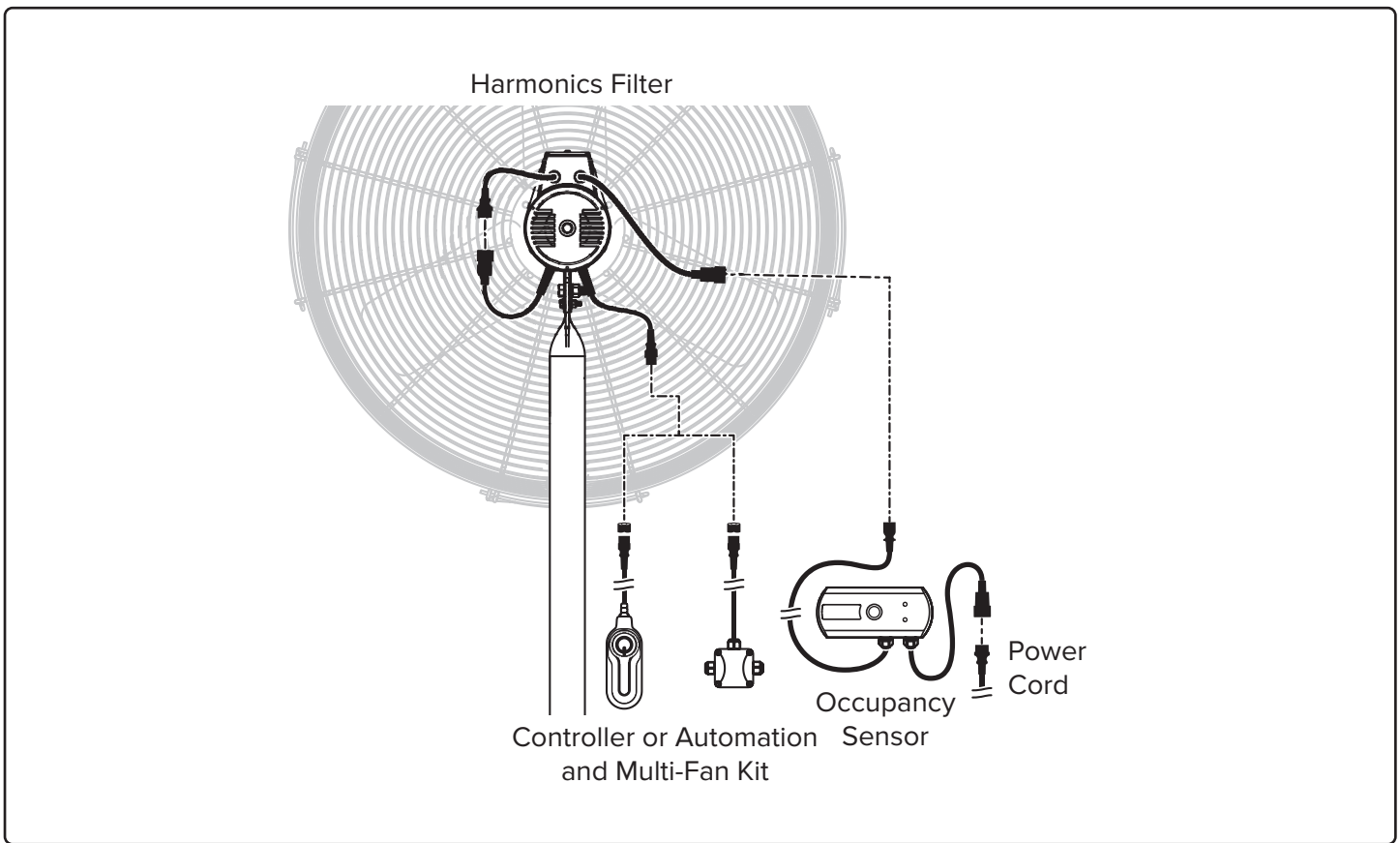
## ELECTRICAL CONNECTIONS: FAN WITH OCCUPANCY SENSOR



## ELECTRICAL CONNECTIONS: FAN WITH HARMONICS FILTER

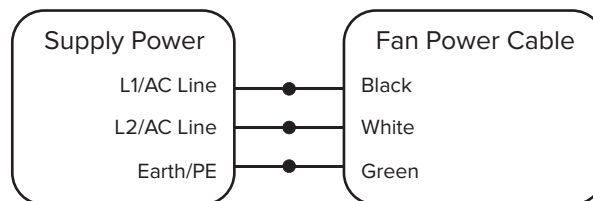


# ELECTRICAL CONNECTIONS: FAN WITH OCCUPANCY SENSOR AND HARMONICS FILTER

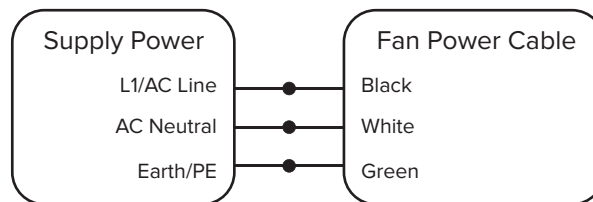


## POWER WIRING: 208-240 V FANS

### Single Phase (L1 + L2 + PE)



### Single Phase (L1 + N + PE)



Conforms to UL 507: Electric Fans  
Certified to CSA C22.2 No. 113: Fans & Ventilators

